



**DEFENSE
TECHNOLOGY®**

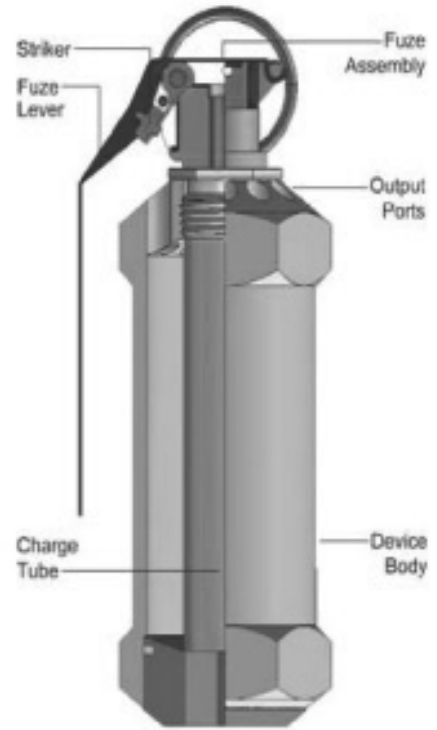
LOW ROLL™ DISTRACTION DEVICE® 12-GRAM, NON-RELOADABLE

PRODUCT SPECIFICATIONS	
Reload	Steel collar w/ cardboard tube
Diameter	1.75 in / 4.45 cm
Diameter Point-to-Point	2.00 in / 5.00 cm
Length	5.75 in / 14.61 cm
Canister	Hex Design, Steel
Fuze	M201A1 Type
Explosive Content	Flash Powder - 0.42 oz / 12 grams
Sound Level	175 dB at 5' (1.5m)
Light Level	6 – 8 million Candelas
Light Duration	10 milliseconds
Part No.	8902NR 8902NR-HH
Warranty	5 years from date of manufacture

ALL SPECIFICATIONS ARE AVERAGES AND SUBJECT TO CHANGE

The 12-Gram Low Roll™ Non-Reloadable Distraction Device® utilizes an M201A1 type fuze with Hex design steel body. This is a non-reloadable version of the 8933 Low Roll Distraction Device Body, which is designed to reduce rolling, fit in tactical pockets easily and deliver the safest and most effective stimuli in the industry. The Distraction Device unit should only be deployed in areas that have been visually observed to be clear of potential hazards. It is recommended that the immediate area for deployment be visually affirmed to be clear of personnel and that the device is delivered so that the ports are free from obstruction. If the bottom port is obstructed by an object or wall, the device body may move. The cleared area for deployment should be 5 - 6 feet around which the device is expected to come to rest.

A modified version of the 12-Gram Low Roll Non-Reloadable Distraction Device is available for use in high humidity environments that incorporates a water resistant charge tube. These products are designated by 'HH' after the part number. The standard render safe practice involving 24 hour water submersion will no longer be effective for the high humidity devices, please consult the render safe procedure for incineration in the instructions.



⚠ WARNING

This product can expose you to chemicals including Lead Salts and Hexavalent Chromium, which are known to the State of California to cause cancer, and Lead Salts, which are known to the State of California to cause birth defects or other reproductive harm. For more information, go to www.P65Warnings.ca.gov.



WARNING: TO BE USED BY TRAINED LAW ENFORCEMENT, CORRECTIONAL OR MILITARY PERSONNEL WHO HAVE SUCCESSFULLY COMPLETED A TRAINING PROGRAM FOR THE DEPLOYMENT OF DISTRACTION DEVICE® UNITS. **IMPROPER USE OF THE DISTRACTION DEVICE UNIT CAN RESULT IN DEATH OR SERIOUS BODILY INJURY.**